

Silver inlay brass strips

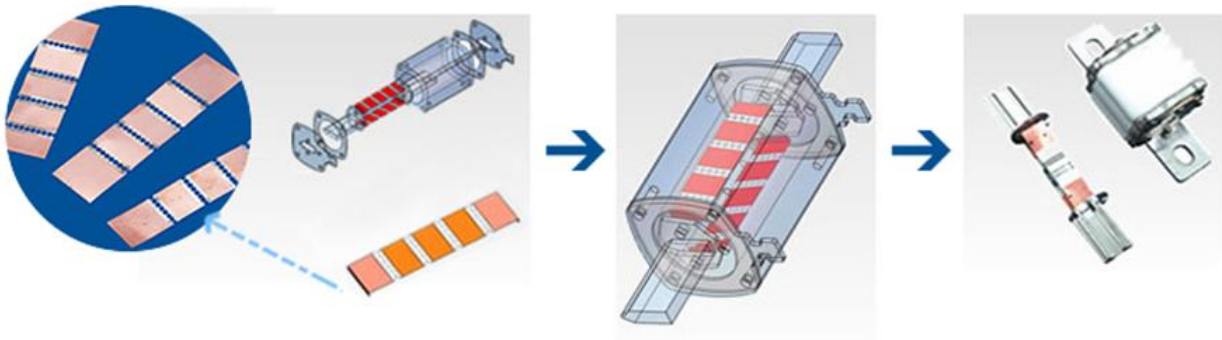
Clad metal manufacturing, more than 10 years manufacture experience, attained ISO9001, work on OEM and ODM projects..

1.Introduction of the silver inlay brass strips

Silver inlay brass strip is a new technical material, based on different industry needs, formed by advanced indoor temperature composite technology or hot composite technique. It is rolled with different alloy material and base material strip. After well composited, its electrical character and wearability are much better than single precious metal (such as gold and silver).

2. Application of silver inlay brass strips

Mainly used for all sorts of electrical component production, such as, micro motors, electrical brush, commutator, jiggle plug/socket, relay, connector, tuner, etc. It is also suitable for continuous automatically manufacture.



3. Main Materials for silver inlay brass strips

Main face Materials: Ag, AgNi, AgCdO, AgSnO₂, AgSnO₂In₂O₃, AgZnO,
 Main base materials: Cu, CuNi , Brass

4.Specification of silver inlay brass strips

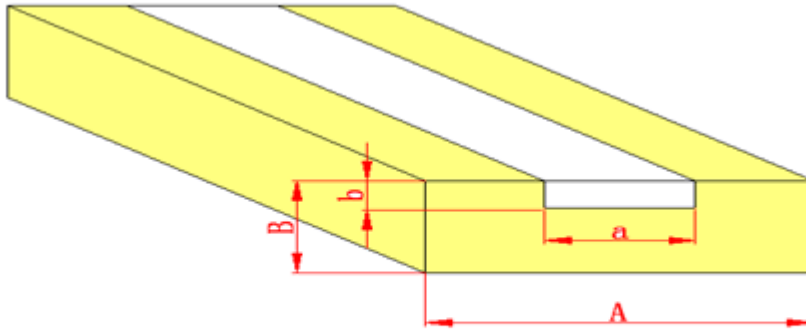
Dimensions can be customized

Total Width	Silver Width	Total Thickness	Silver Thickness	Total Width Tolerance	Total Thickness Tolerance
1.5-60	1.5-60	0.1-0.5	0.05-0.3	±0.5	±0.03
1.5-60	1.5-60	0.6-1.5	0.05-1.0	±0.1	±0..05

1.5-60	1.5-60	1.6-3.0	0.05-1.5	±0.2	±0.08
--------	--------	---------	----------	------	-------

5. Product types for silver inlay copper brass strips

One layer inlay, two layers inlay, Multi-layers inlay



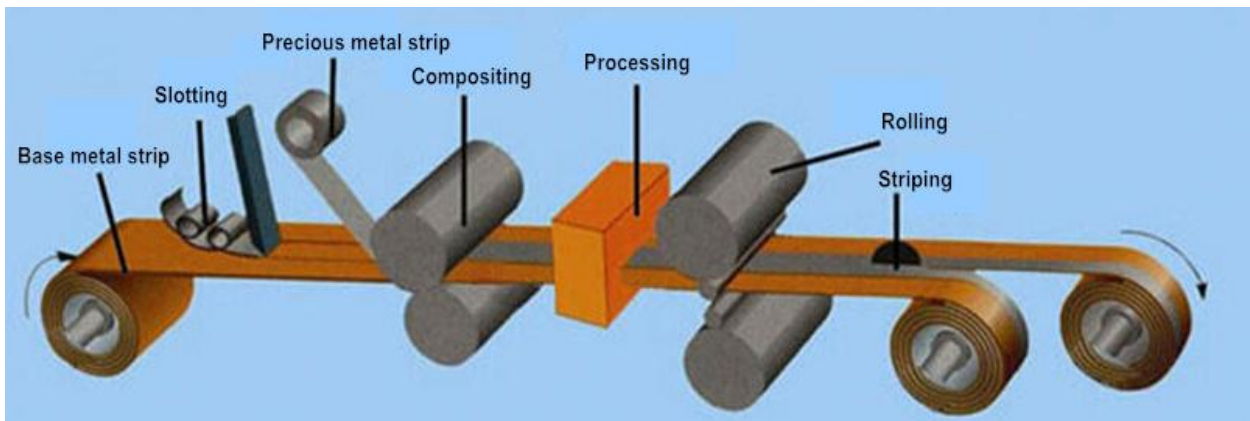
Size A 3.0mm—60mm

Size B 0.1mm—3mm

Size a 2.0mm—60mm

Size b 0.02mm—1.0mm

6. Process of silver inlay brass strips



7. Manufacture plant of silver inlay brass strips

Germany Hi-precision Roller Machine; Hi-precision Vertical Cutting Machine; Slotting Machine; High-precision punch machine.



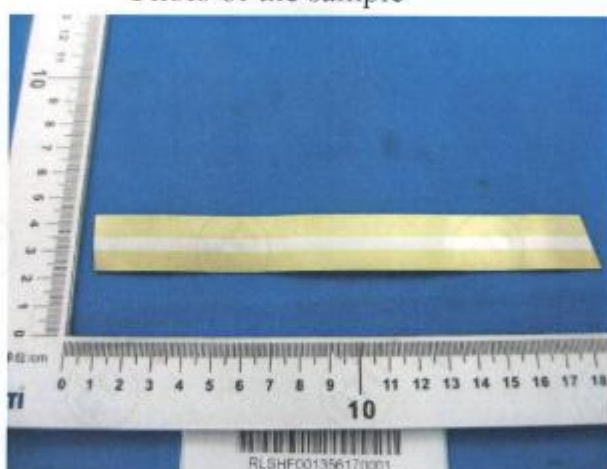
8. Quality certificate for silver inlay brass strips

检测报告 Test Report

报告编号 RLSHF001356170001
Report No. RLSHF001356170001

第 5 页 共 5 页
Page 5 of 5

样品照片
Photo of the sample



*** 报告结束 ***

***End of report ***

检测报告无批准人签字及“报告专用章”无效，本报告检测结果只对受测样品负责。未经 CTI 书面同意，不得部分复制本报告。

The test report is effective only with both signature and specialized stamp. The result(s) shown in this report refer only to the sample(s) tested. Without written approval of CTI, this report can't be reproduced except in full.

9. Packing and shipping for silver inlay brass strips

Packing:

First put into Vacuum sealed plastic film, then Fill with sponge into the hard cardboard carton box, each box won't excess the weight 30kg..



Shipping:

We will choose the best way according to customer's requests.

1. By Air, to the indicated airport.
2. By Express (FedEx, UPS, DHL, TNT, EMS), to the indicated address.
2. By Sea, to the indicated sea port.



10.FAQ

1. Do you have ISO certificate?

Yes, we obtained ISO9001

2. How long is your delivery time for silver inlay strip?

20-25 days depend on the raw material condition

3. Do you make parts according to our design?

Yes, we always do as per customers drawings or Technical documents

4. Can you help us to choose suitable material?

Yes, we can recommend the most suitable material according to your application.

5. Do you provide sample? Free or charge?

Yes, if the sample in stock available, free of charge, if not, need to charge some mfg cost.